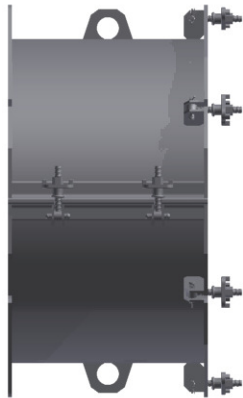


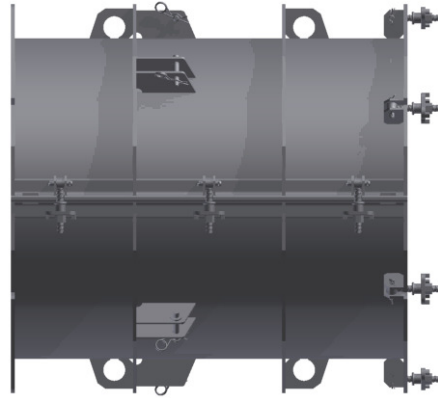
<b>Round Steel Formwork</b>				
	<b>500</b>	<b>1000</b>	<b>2000</b>	<b>3000</b>
<b>Diameter mm</b>	<b>Weight Kg per Item</b>	<b>Weight Kg per Item</b>	<b>Weight Kg per Item</b>	<b>Weight Kg per Item</b>
<b>250</b>	38,22	70,70	133,50	200,20
<b>300</b>	41,28	75,50	141,30	211,90
<b>350</b>	44,40	83,40	152,30	232,60
<b>400</b>	47,00	89,90	165,60	248,90
<b>450</b>	56,70	102,30	182,50	275,30
<b>500</b>	60,02	109,20	193,70	292,10
<b>550</b>	63,45	116,00	204,90	309,10
<b>600</b>	74,10	139,10	234,90	353,60
<b>650</b>	81,40	144,30	261,20	463,30
<b>700</b>	98,10	183,20	327,90	474,80
<b>750</b>	102,20	190,00	349,60	492,60
<b>800</b>	107,32	208,40	358,90	521,70
<b>850</b>	112,70	214,60	380,70	539,60
<b>900</b>	116,80	227,70	390,20	569,10
<b>950</b>	119,70	233,20	412,30	587,20
<b>1000</b>	126,30	248,60	419,60	613,20
<b>1050</b>	130,20	253,60	442,60	630,80
<b>1100</b>	135,50	267,60	450,60	660,10
<b>1150</b>	140,20	272,60	469,40	678,20
<b>1200</b>	144,60	286,60	481,70	704,80
<b>1300</b>	160,00	289,15	524,40	791,50
<b>1400</b>	169,80	291,70	560,50	840,60
<b>1500</b>	179,40	307,90	593,10	886,50
<b>Hook for Vertical Transport (Capacity 1200 kg)</b>				<b>Weight Kg per Item</b>
				1,42
<b>Manto Column Connector</b>				<b>Weight Kg per Item</b>
				1,38

# Round Steel Formwork

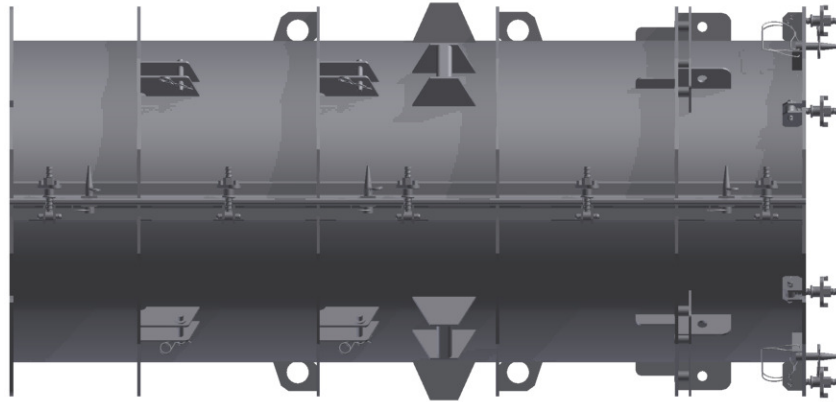
H=500



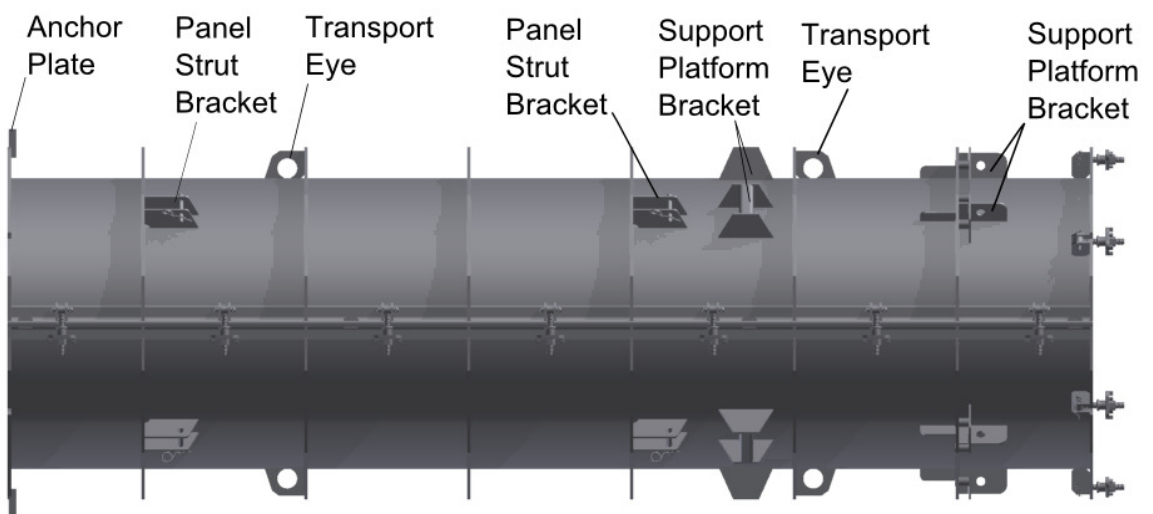
H=1000



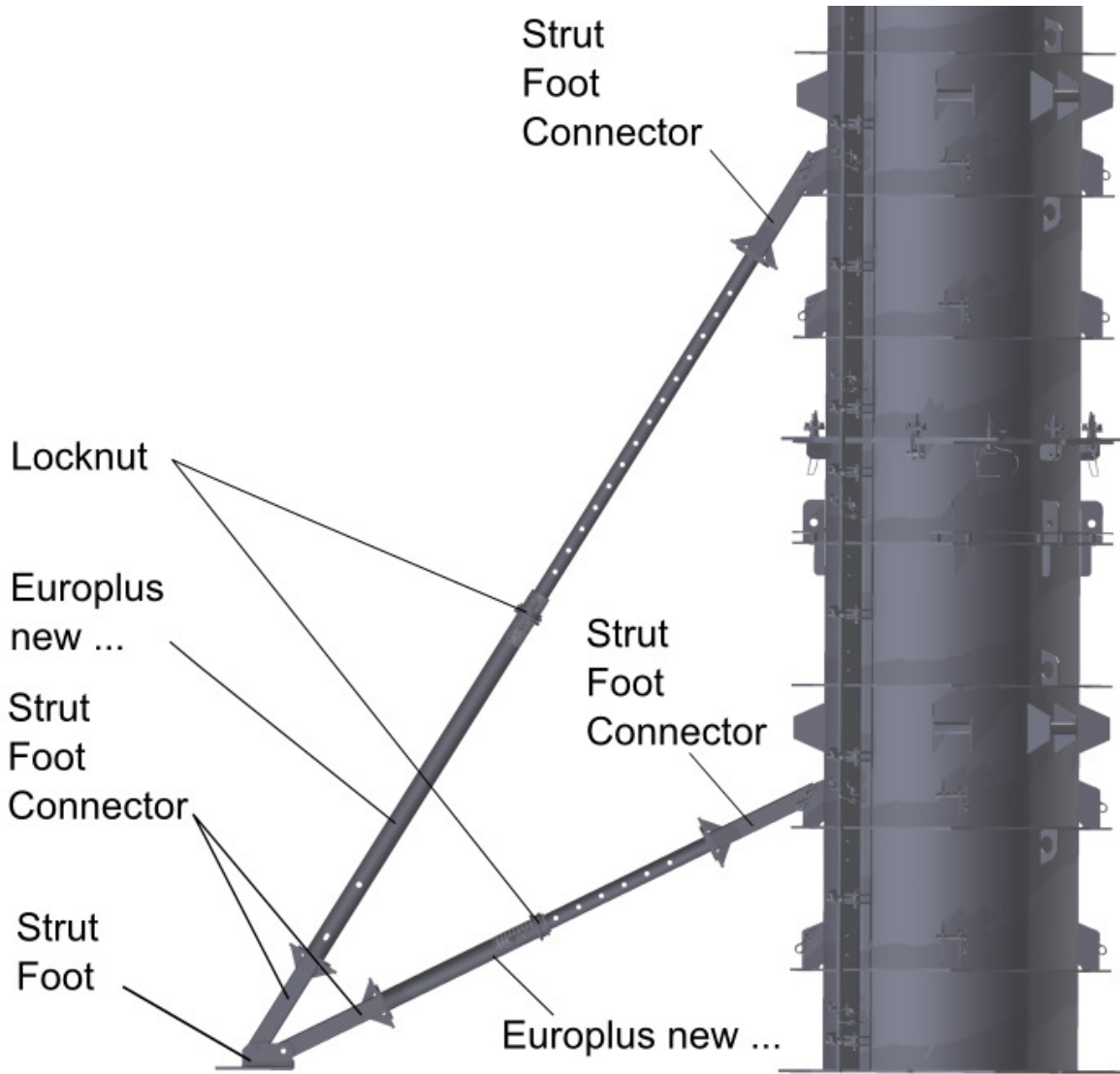
H=2000



H=3000



# Panel Strut



<b>Working Platform for Steel Formwork 400-1200</b>		
<b>Item Name</b>	<b>Item per Set</b>	<b>Weight Kg per Item</b>
Platform Frame 400-1200	1	79,00
Barrier 1100	2	12,92
Barrier 700	4	10,16
Entrance Barrier	1	26,36
Ladder	1	14,38
Platform Bracket	3	11,84
Clamp	3	0,66

<b>Working Platform for Steel Formwork 1250-1500</b>		
<b>Item Name</b>	<b>Item per Set</b>	<b>Weight Kg per Item</b>
Platform Frame 1250-1500	1	95,00
Barrier 1100	2	12,92
Barrier 700	6	10,16
Entrance Barrier	1	26,36
Ladder	1	14,38
Platform Bracket	3	11,84
Clamp	3	0,66

<b>Ladder Extension L=1,0m</b>		
<b>Item Name</b>	<b>Item per Set</b>	<b>Weight Kg per Item</b>
Ladder Extension L=1,0	1	18,98
Ladder Bracket	1	9,50
Clamp	2	0,66

<b>Ladder Extension L=1,5m</b>		
<b>Item Name</b>	<b>Item per Set</b>	<b>Weight Kg per Item</b>
Ladder Extension L=1,5	1	27,26
Ladder Bracket	1	9,50
Clamp	2	0,66

Platform Frame  
400-1200



Platform Frame  
1250-1500



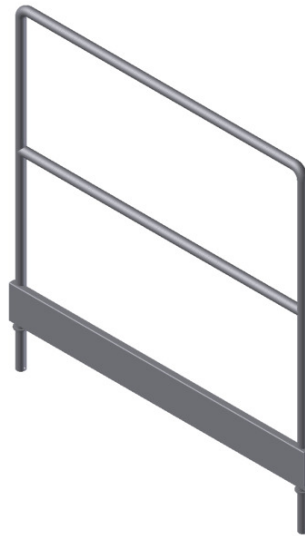
Platform Bracket



Barrier 700



Barrier 1100



Entrance Barrier



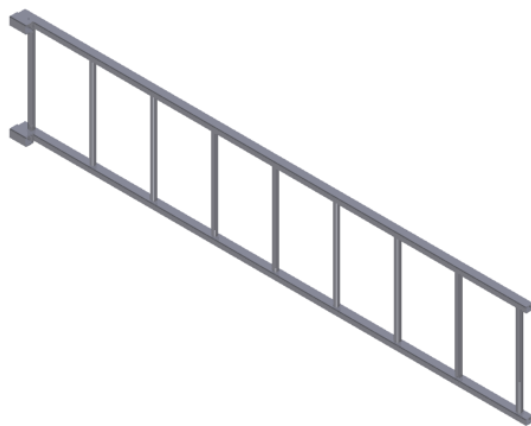
Ladder Extension  
L=1,0m



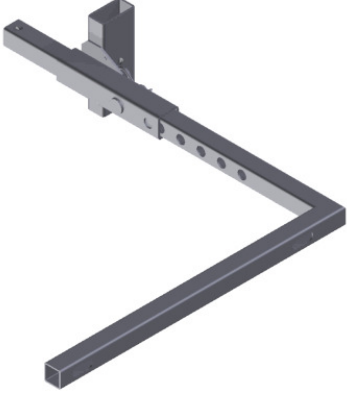
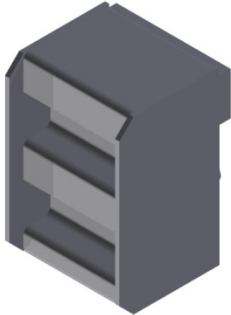
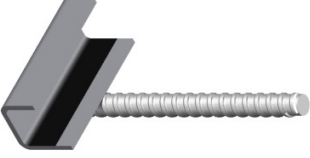
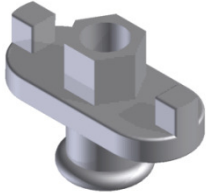

Ladder Extension  
L=1,5m



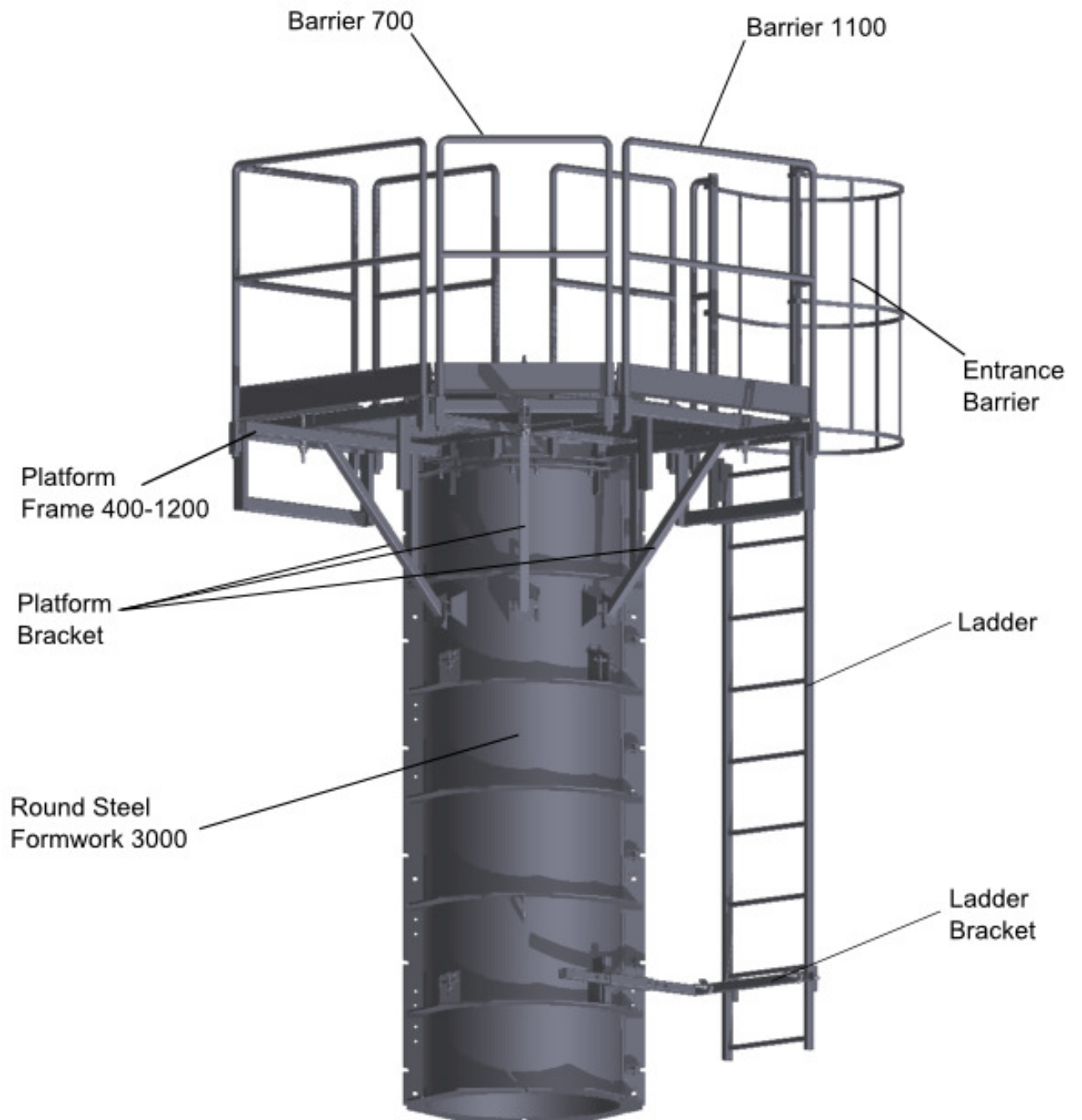
Ladder  
(H=2,5m)





<p>Ladder Bracket</p>	 A 3D rendering of a dark grey L-shaped metal bracket. It consists of two long, parallel arms joined at a right angle. The top arm has a small rectangular protrusion at its end. The bottom arm has several small circular holes along its length.
<p>Manto Column Connector</p>	 A 3D rendering of a dark grey, rectangular metal connector. It has a complex, multi-faceted design with several horizontal slots or recessed areas on its front face.
<p>Clamp</p>	 A 3D rendering of a dark grey metal clamp. It features a U-shaped metal body with a threaded rod passing through it. The rod has a hexagonal head and a threaded section.
<p>Wing Nut</p>	 A 3D rendering of a dark grey metal wing nut. It has a central cylindrical base with a hexagonal shape on top. Two flat, rectangular wings extend from the top, one on each side.
<p>Hook for Vertical Transport</p>	 A 3D rendering of a dark grey metal hook. It has a circular ring at the top, a flat rectangular base, and a threaded rod with a hexagonal nut at the bottom.

## Round Steel Formwork H=3,0m



# Round Steel Formwork H=5,5m

